

Shoe Rack v1

This rack was designed to fit between the door and kitchen slide-out on our Grand Design 2670MK Travel Trailer. The available space was 18" wide which is why the rack was designed with these dimensions. If you're building with more space I would recommend going at least 2" wider to 20" and 1/2" or more deeper.

It is easy to modify or adjust the dimensions based on your available space.

Enjoy your build.

Dave

I used 1/2" thick dimensional lumber for the sides and door styles to save space and weight. The sides are 1/2"x6" dimensional lumber which makes the (actual dimension 1/2" x 5 1/2"). The door styles are 1/2"x3" dimensional lumber (actually 1/2" x 2 1/2")

The bottom shoe holders and door inserts are 1/4" plywood.

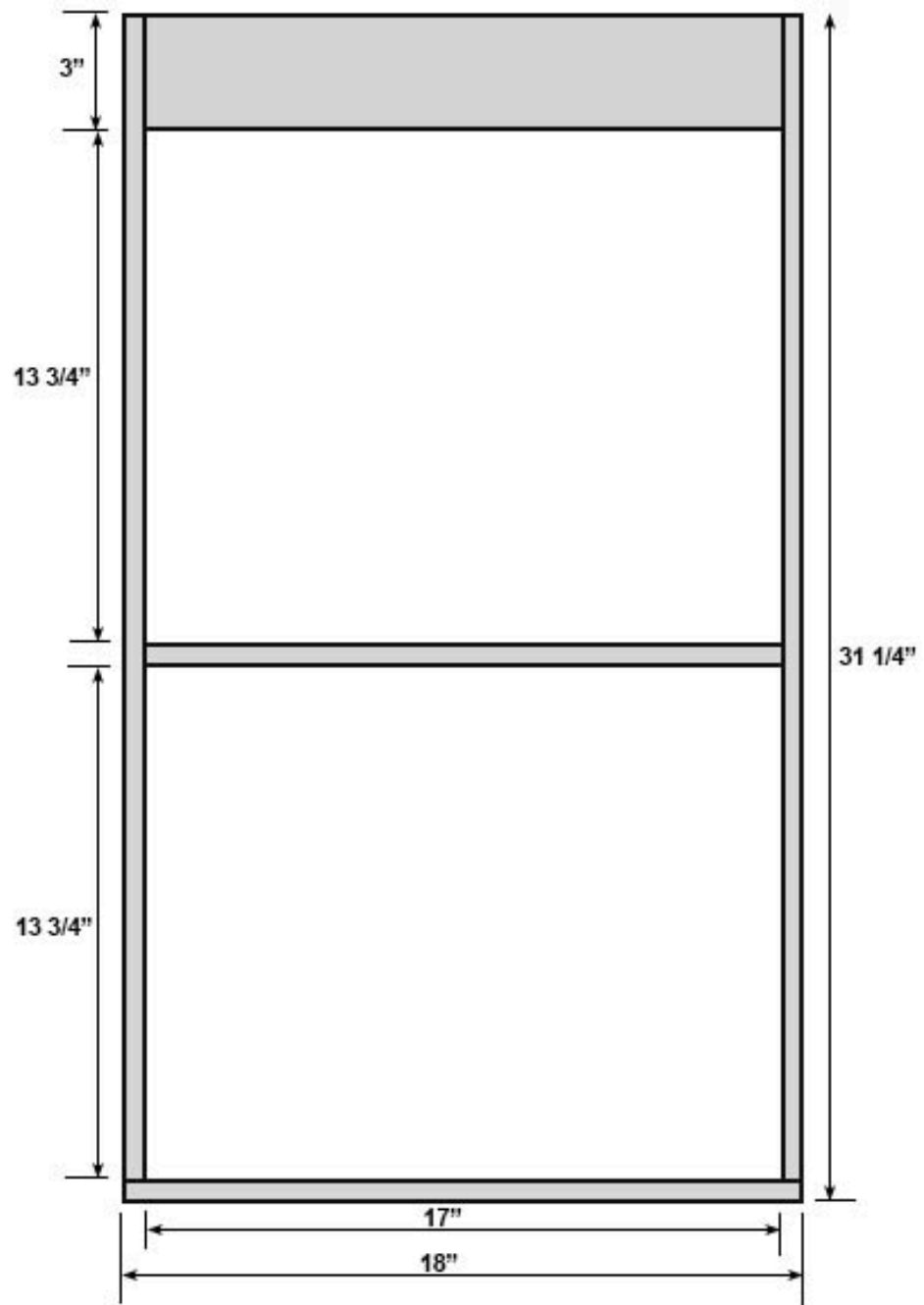
The upper shoe holder bar is 1/8" x 1" aluminum bent to create the U-shaped upper.

The pivot hinges were from Amazon. <https://a.co/d/fVAuVvo>

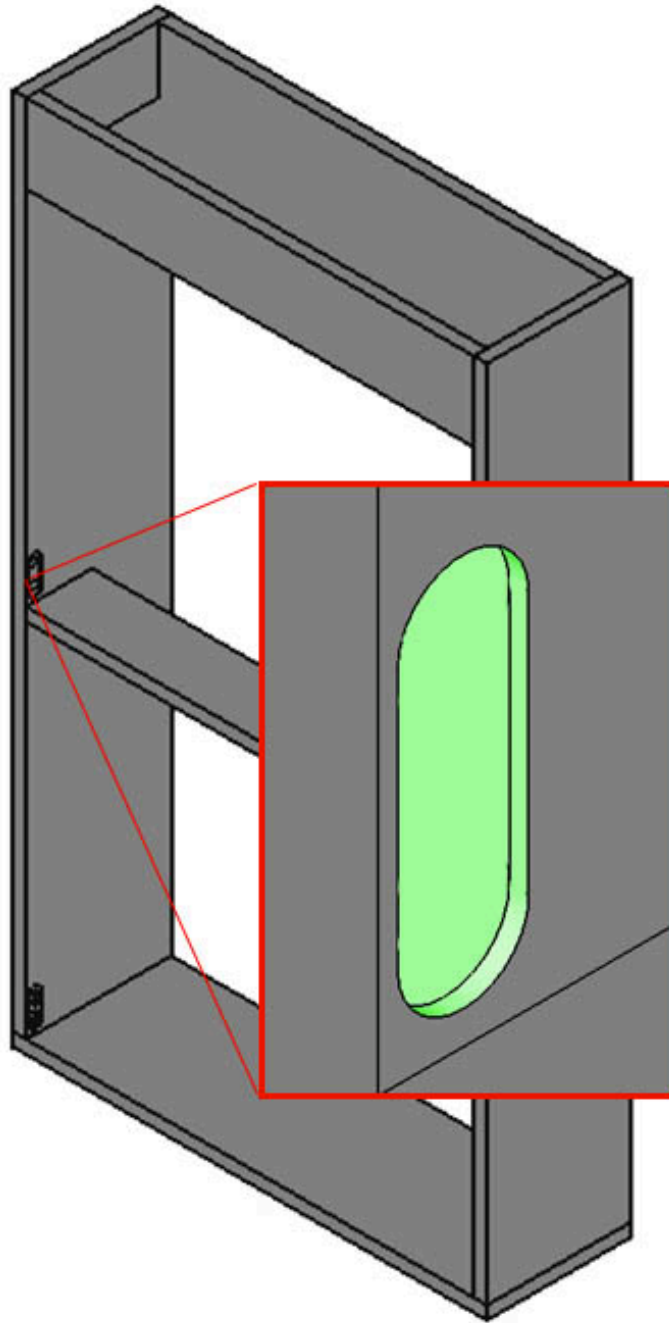


Caption

Shoe Rack Frame

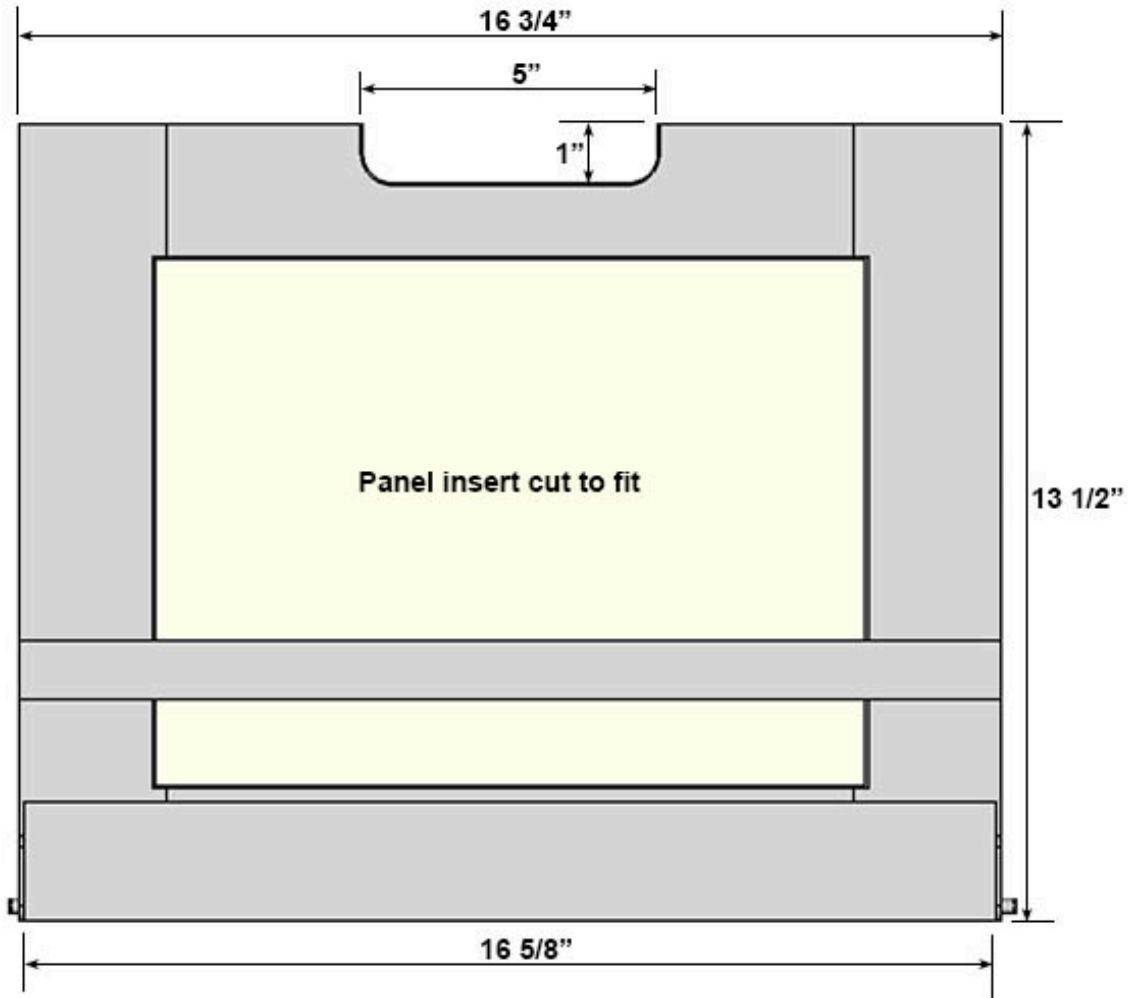


Shoe Rack Frame

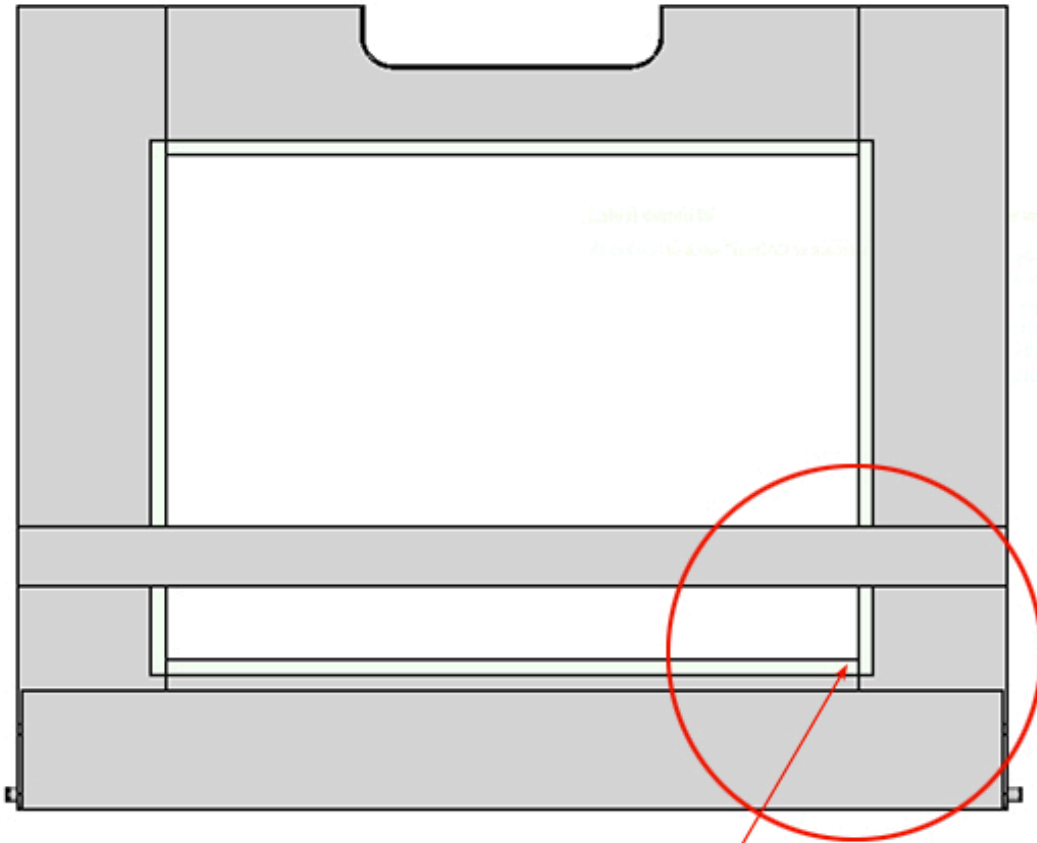


Cut to recess pivot hinges, 4 cuts in right and left side frame. Depth dependant on pivot hinges used.

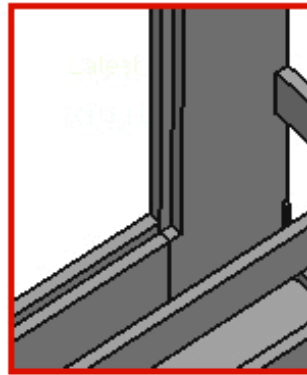
Shoe Rack Door Rear View



Shoe Rack Door Panel Insert Cut Detail

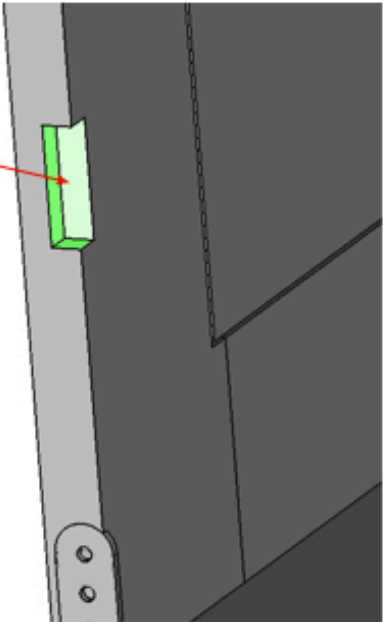


Rabbit cut for panel
insert 1/4" deep & 1/4"
wide.

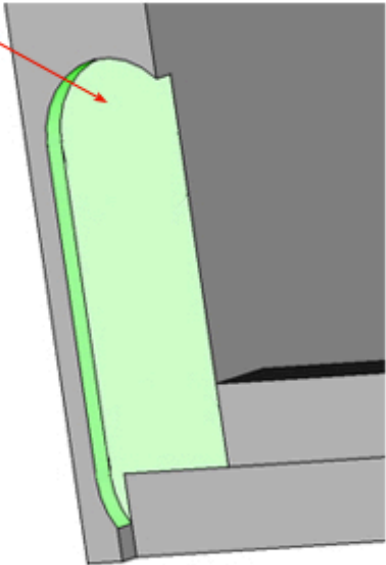
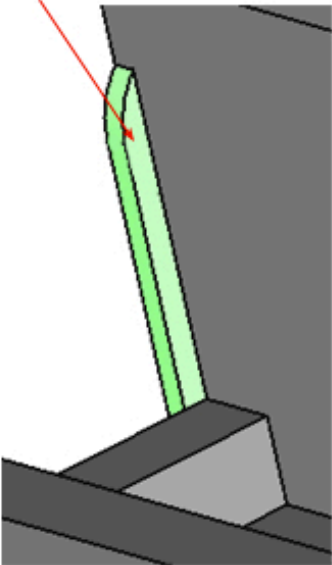


Shoe Rack Door Detail

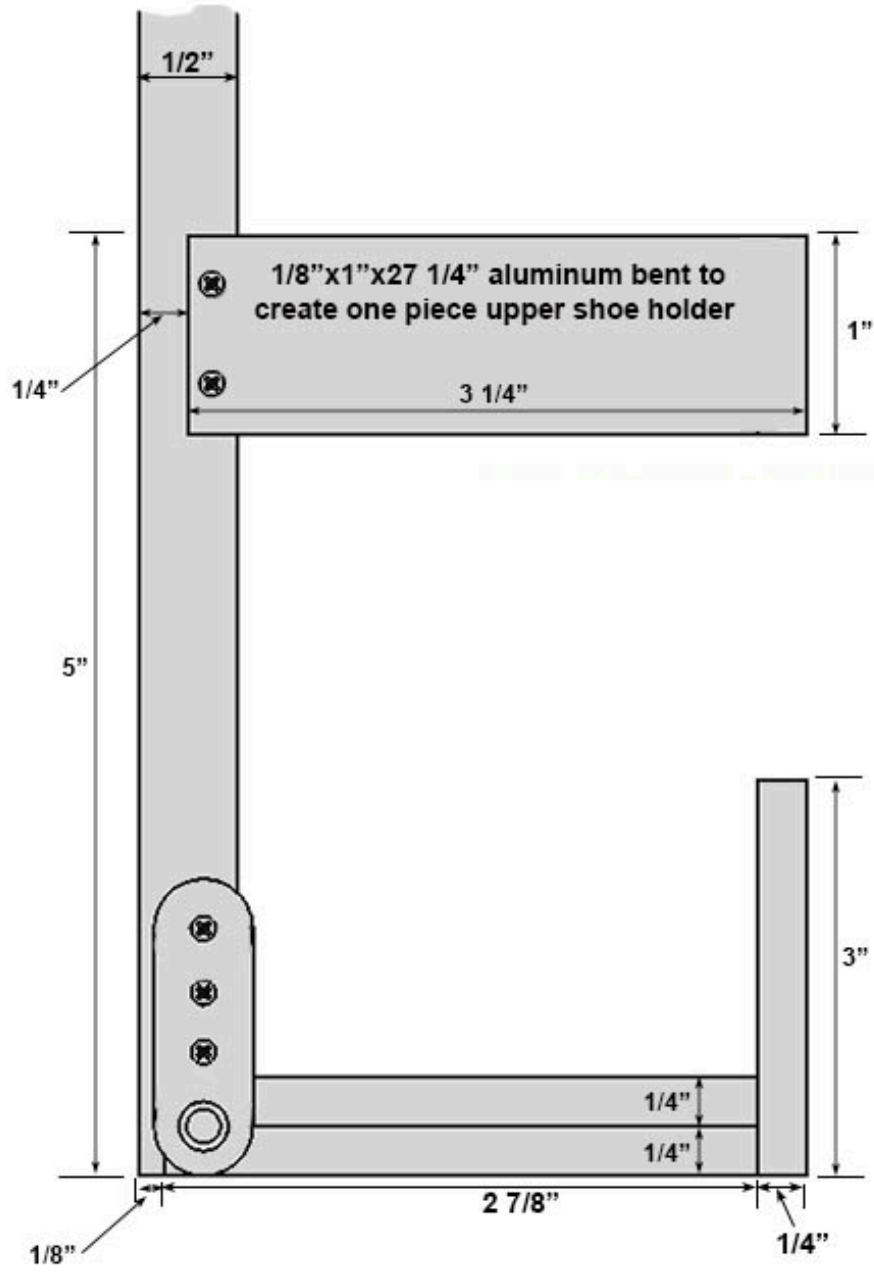
Notch cut for 1/8" thick aluminum upper shoe support.



**Recesses in sides of doors for male pivot hinges.
Note hinge will overhang the back side of the door styles.**



Shoe Rack Door Side Detail



© Dave Huntsman